

Lab 5

Lens layout and construction

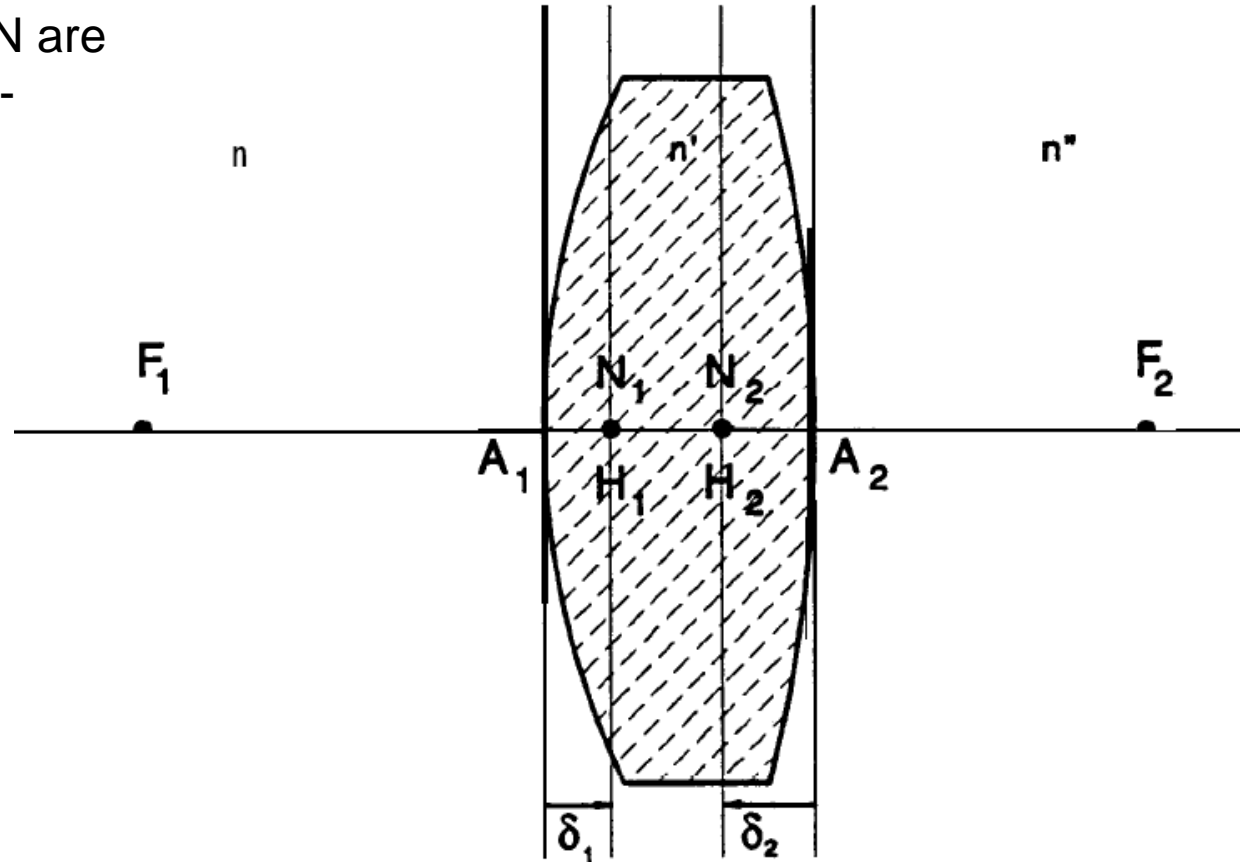


Lab 5

Cardinal points

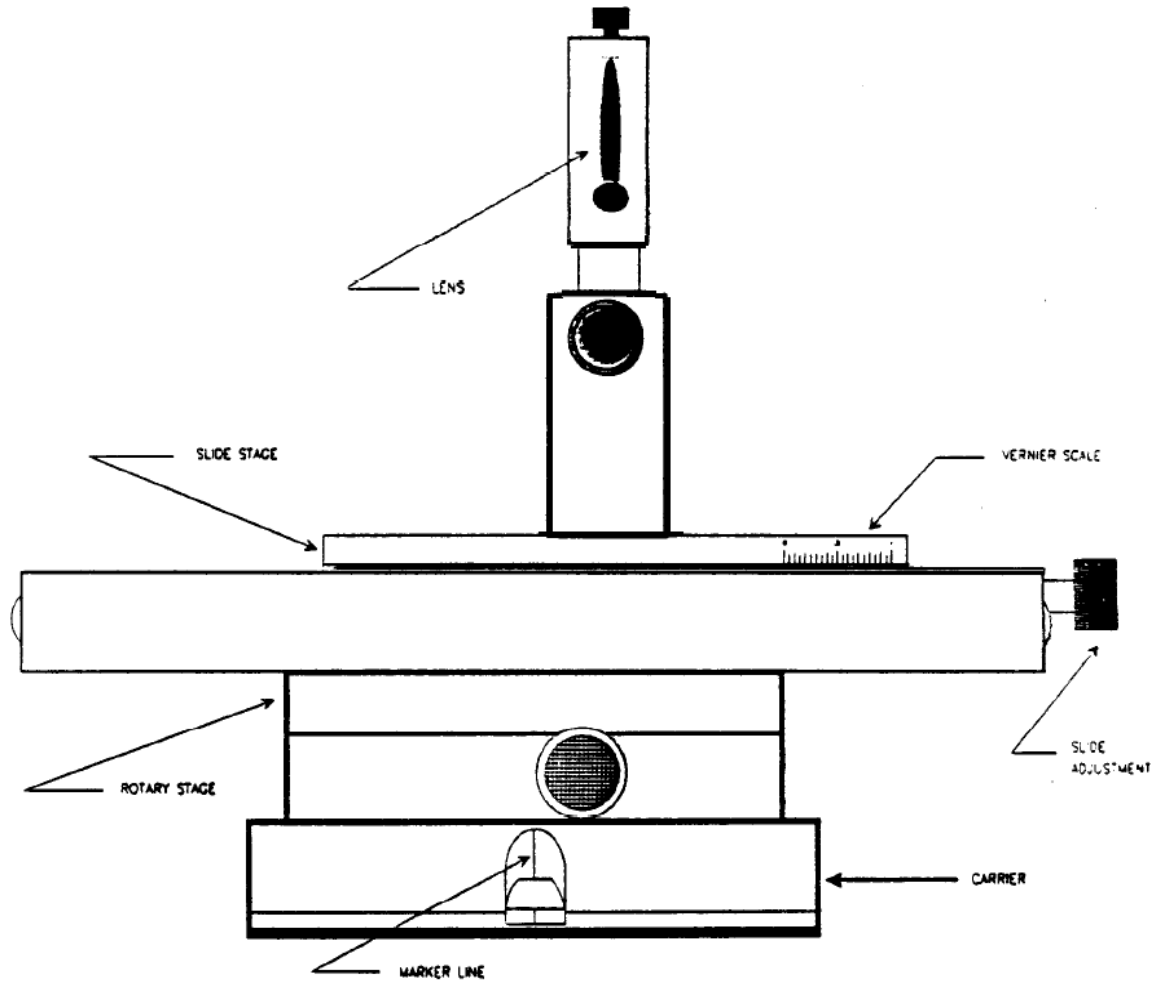
- F are foci, A are vertices, N are nodal points and H are anti-nodal points

- If $n = n''$ then H and N are coincident



Lab 5

Nodal slide



Lab 5

Telephoto lens

